

Technical Datasheet: Green Trough Walkway System



DESCRIPTION

The Green Trough anti-slip Walkway system is designed to provide a hard wearing and safe surface for troughing routes where a low to zero maintenance walkway is required. Made from 100% recycled polymer with a base weight of 13.5kg and lid weight of 14kg, individual units can be hand carried by one person. Each lid can be independently lifted maintaining a safe walking route whilst simultaneously giving access to cables. Lids can be screwed down to protect against theft and vandalism, and bases have a built-in security system allowing for the use of cable ties to further protect against cable theft.

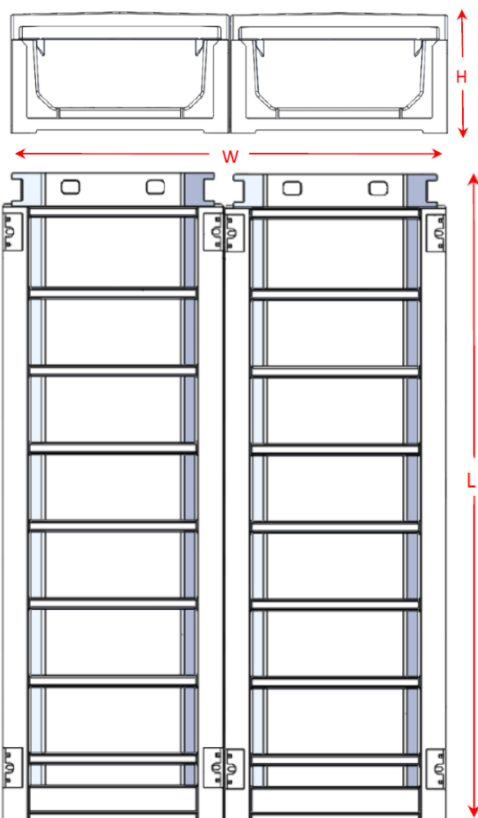
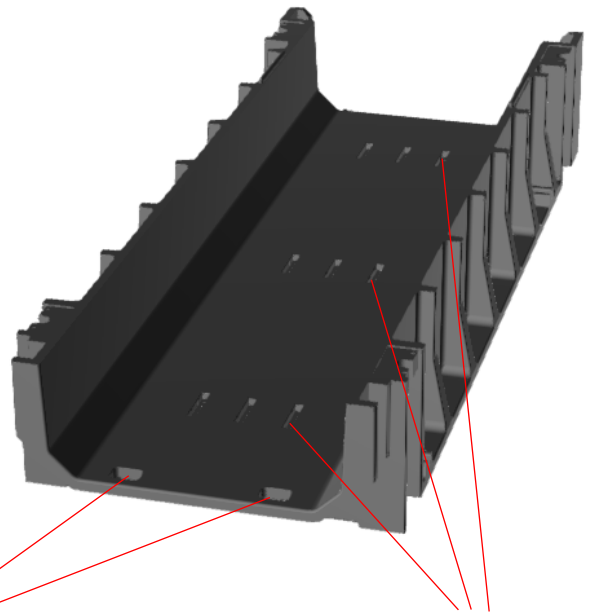
WALKWAY SURFACE

The anti-slip walkway surface coating is made up of a three-component polyurethane based system. Used in combination with a 1mm granite aggregate dressing, this produces a durable slip and skid resistant surface. Additionally, the walkway surface has been found to provide resistance to the build-up of electrostatic properties, producing 0.0kV when tested.

CONNECTION

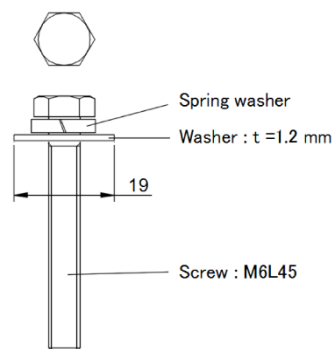
The walkway system comprises of two straight trough units assembled in parallel. They are connected with the help of two bolts, and can be delivered pre-assembled or in parts, ready to assemble on site.

Part Name	Part No.	L (mm)	W	H	Internal Capacity
Walkway	TS30PW	1045±10	780±8	215±10	72,000 mm ²



Anti-theft cable tie securing locations

Built-in divider slots



2 x hex head lid screws supplied as standard